

Declaration of performance nº 12-01

1.- Product name:

GR

2.- Name and address of the manufacturer

NOXIFER S.L.

Ctra de Sarral a Barberà, parcel·la 21

43424 - SARRAL (Tarragona) - España

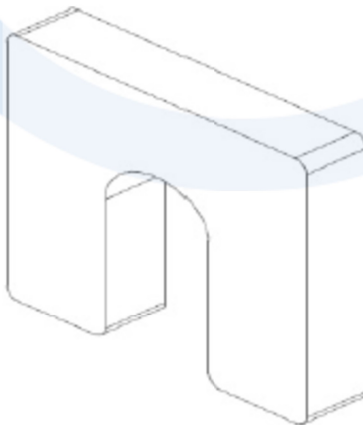
3.- Expected use:

Steel structural component

6.- Performance features

Essential features	Performances
Weldability	NPD
Breaking stress	1770 Mpa
Reaction to fire	195 Mpa a 23° C, 5 mm/Min según ISO 527-1/2
Maximum continuous use temperature	110°C - 20000 h 50% tension resistance IEC 216
Cadmium emission	NO EMISSIONS
Radioactivity emission	NO EMISSIONS
Durability	NPD

Structural features	Performances
Base material	Badamid® B70 GF30 FR HF
Fusion temperature	222°C - 10 K/min according to ISO 3146
Fatigue resistance	NPD (Static loads)
Bearing capacity	Characteristic values of actions



The benefits of the product identified in point 1 are in accordance with those declared in point 6
This declaration of performance is issued under the sole responsibility of the manufacturer indicated in point 2

Signed for and on behalf of the manufacturer by: Josep Rull, Managing Director

Sarral 30th of August 2022

Edition: 001

A handwritten signature in blue ink, likely belonging to Josep Rull, the Managing Director mentioned in the text. The signature is stylized and written in a cursive script.