

# Declaration of performance n° 26-01

## 1.- Product name:

LOOP-100

## 2.- Name and address of the manufacturer

NOXIFER S.L.

Ctra de Sarral a Barberà, parcel·la 21

43424 - SARRAL (Tarragona) - España

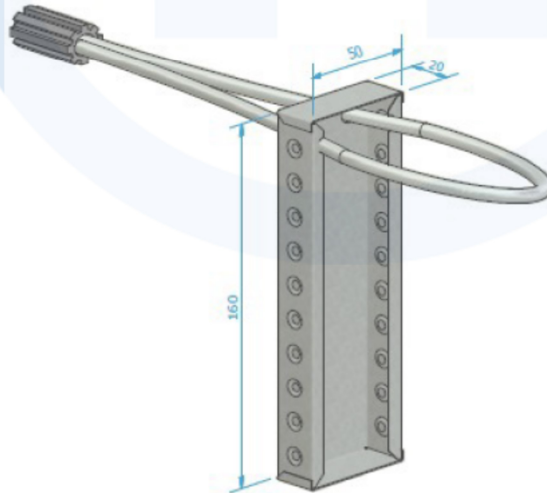
## 3.- Expected use:

Steel structural component

## 6.- Performance features

Essential features	Performances
Geometric Tolerances	NPD
Weldability	NPD
Breaking stress of the wire loop	1770 Mpa
Reaction to fire	Classified material: Class A1
Minimum breaking load	24 kN
Cadmium emission	NO EMISSIONS
Radioactivity emission	NO EMISSIONS
Durability	Electrolytic zinc plated

Structural features	Performances
Base material	S275 JR according to EN 10025-5
Wire loop material	6,0 ČSN EN 12385 4 6x7 + IWS 1770
Fire resistance	NPD
Fatigue resistance	NPD (Static loads)
Bearing capacity	Characteristic values of actions



The benefits of the product identified in point 1 are in accordance with those declared in point 6  
This declaration of performance is issued under the sole responsibility of the manufacturer indicated in point 2

Signed for and on behalf of the manufacturer by: Josep Rull, Managing Director

Sarral 30th of August 2022

Edition: 001