

Declaration of performance nº 01-03

1.- Product name:

NOXI S

2.- Name and address of the manufacturer

NOXIFER S.L.
Ctra de Sarral a Barberà, parcel·la 21
43424 - SARRAL (Tarragona) - España

3.- Expected use:

Steel structural component

4.- System of assessment and verification of constancy of performance:

2+

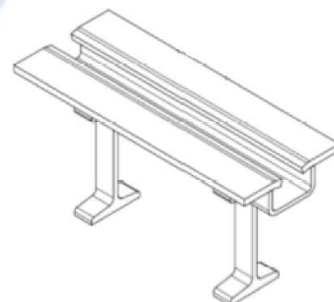
5.- Notified body:

APPLUS nº 0370
Factory Production Control Evaluation: System 2+
Factory production control certificate 0370 - CPR - 1685
of 7th of march 2014

6.- Performance features

Essential features	Performances
Geometric Tolerances	According to EN-1090-2
Weldability	Grade JR according to EN 10025-2
Fracture toughness	27 J at 20° C, according to EN 1993-1-10
Reaction to fire	Classified material: Class A1
Cadmium emission	NO EMISSIONS
Radioactivity emission	NO EMISSIONS
Durability	Surface preparation type P3. Continuous hot dip galvanized according to EN ISO 1461.

Structural features	Performances
Cold formed steel sheet material	S235JR according to EN 10025-2
Hot-rolled profile	S275JR according to 10025-3
Sizing	According to EN 1993-1
Type of execution	EXC2, according to EN 1090-2
Fire resistance	NPD (Outer element)
Fatigue resistance	NPD (Static loads)
Bearing capacity	Characteristic values of actions
Manufacturing	According to EN 1090-2



Technical specifications

EN-1090-1:2009+A1:2011

The benefits of the product identified in point 1 are in accordance with those declared in point 6
This declaration of performance is issued under the sole responsibility of the manufacturer indicated in point 2

Signed for and on behalf of the manufacturer by: Josep Rull, Managing Director

Sarral 30th of August 2022

Edition: 001