

# Declaration of performance n° 29-01

**1.- Product name:**

PROXI

**2.- Name and address of the manufacturer**

NOXIFER S.L.  
Ctra de Sarral a Barberà, parcel·la 21  
43424 - SARRAL (Tarragona) - España

**3.- Expected use:**

Corner protector

**4.- System of assessment and verification of constancy of performance:**

2+

**5.- Notified body:**

APPLUS n° 0370  
Factory Production Control Evaluation: System 2+  
Factory production control certificate 0370 - CPR - 1685  
of 7th of march 2014

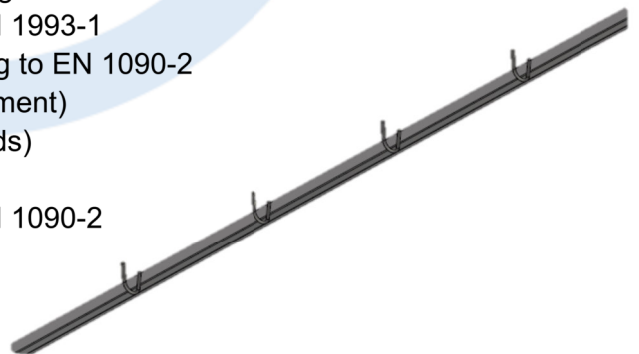
**6.- Performance features**

Essential features	Performances
Geometric Tolerances	According to EN-1090-2
Steel sheet weldability	Grade JR according to EN 10025-2
Rebar weldability	Grade S according to UNE 36068
Fracture toughness	27 J at 20° C, according to EN 1993-1-10
Reaction to fire	Classified material: Class A1
Cadmium emission	NO EMISSIONS
Radioactivity emission	NO EMISSIONS
Durability	NPD

Structural features	Performances
Base material	S275JR according to 10025-2
Rebar material	B500S according to UNE 36068
Sizing	According to EN 1993-1
Type of execution	EXC2, according to EN 1090-2
Fire resistance	NPD (Outer element)
Fatigue resistance	NPD (Static loads)
Bearing capacity	NPD
Manufacturing	According to EN 1090-2

**Technical specifications**

EN-1090-1:2009+A1:2011



The benefits of the product identified in point 1 are in accordance with those declared in point 6  
This declaration of performance is issued under the sole responsibility of the manufacturer  
indicated in point 2

Signed for and on behalf of the manufacturer by: Josep Rull, Managing Director

Sarral 25th of October 2022

Edition: 001