

Code	Description	ULS LOAD
PPR-T20	Wall shoe for TN20	96kN
PPR-T24	Wall shoe for TN24	138kN
PPR-T30	Wall shoe for TN30	220kN

ULS Load Depending on the model

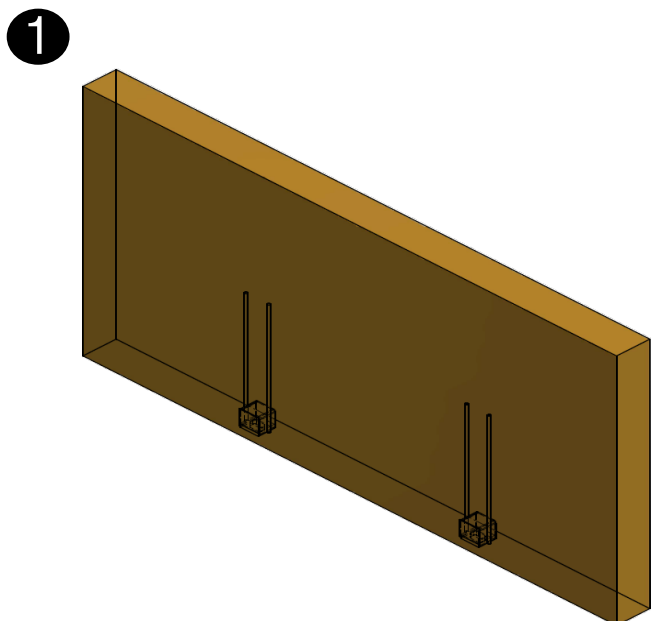
Wall shoe for bolted connections between the precast wall with the foundation or between precast walls.

Wall shoe PPR



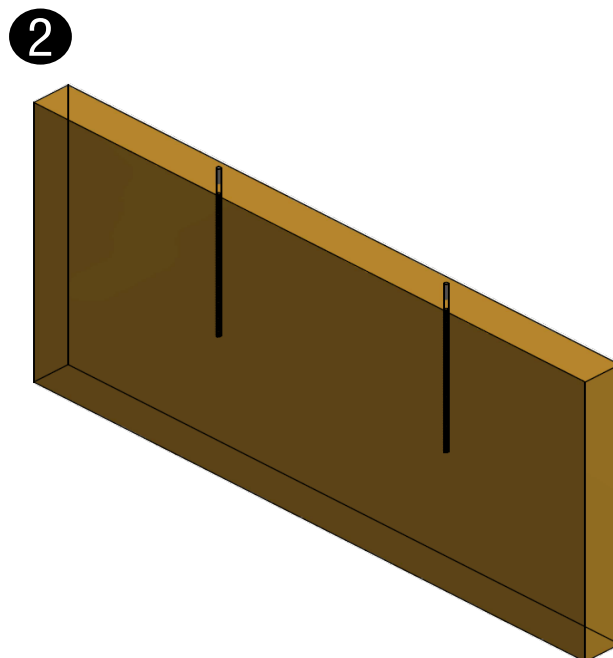
www.noxifer.com



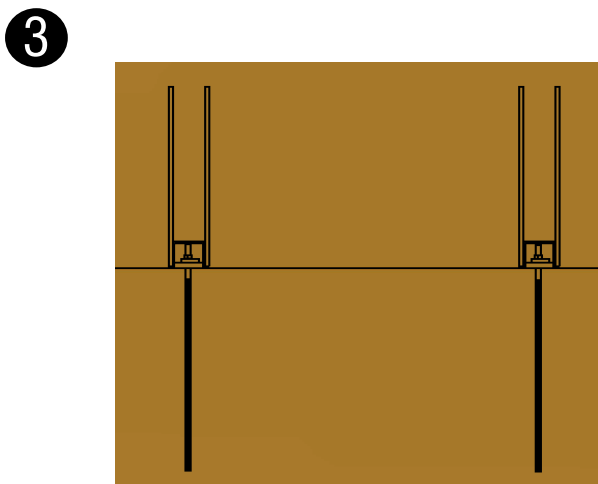


1.1.- Place the wall shoe inside the mould and pour concrete making sure that it does not enter in the wall shoe.

It is possible that, in the same concrete panel, there are placed column shoes AR and anchor bolts TN simultaneously in the case of having an intermediate facade wall.



2.1.- Place the anchor bolts inside the mould and pour concrete.



3.1.- Bring the panel closer to the foundation or to another panel and insert the wall shoe PPR into the anchor bolt TN. Once inserted, fix the connection with the squared washer and the screw

