

Accessory for retaining precast concrete elements. Assembly with NOXI profile, FER TF16-40 screw, A16 washer, AG16 Glower washer, T16 nut and expansion shell. With this system, assembly regulation is achieved in 2 of the 3 main axes.

Anchor UPA-TL



Code

Description

UPA-TL115	Anchor UPA-TL length 115 mm
UPA-TL145	Anchor UPA-TL length 145 mm
UPA-TL320	Anchor UPA-TL length 320 mm

(*) Other lengths available under request.

For length L > 600 mm, ask us for the charge.

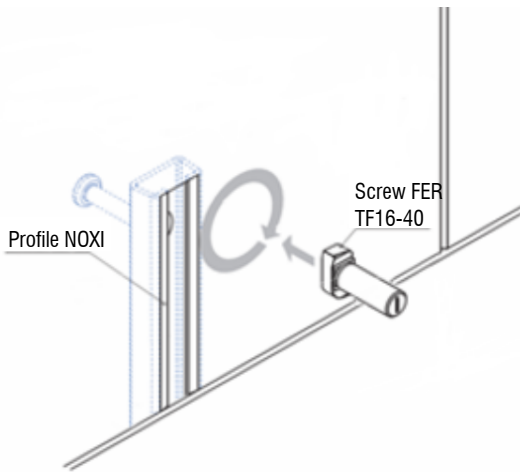
(1) Surface treatment	Electroplated zinc coating
Service load	500 Kg
Global Security Coefficient	4.7

1. Other surface treatment available under request.

www.noxifer.com



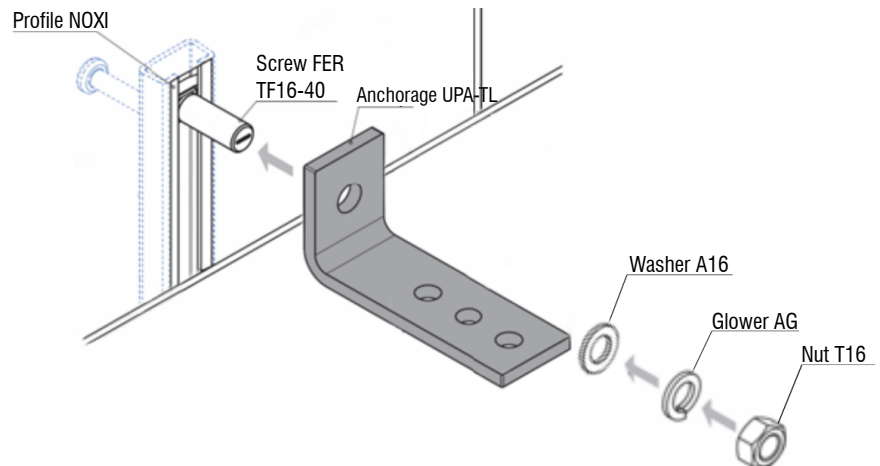
1



1.1.- Place the FER TF 16-40 screw into the profile* and turn it 90 degrees.

*The profile can be: NOXI C, R or S; depending of loads.

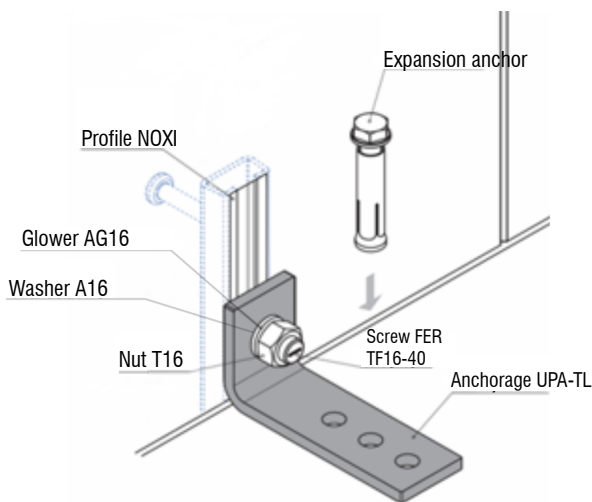
2



2.1.- Place UPA-TL accessory with FER screw through $\varnothing 17$ hole .

2.2.- Fixing by A16 washer , AG16 Glower washer and T16 nut. The Glower washer should be completely flat.

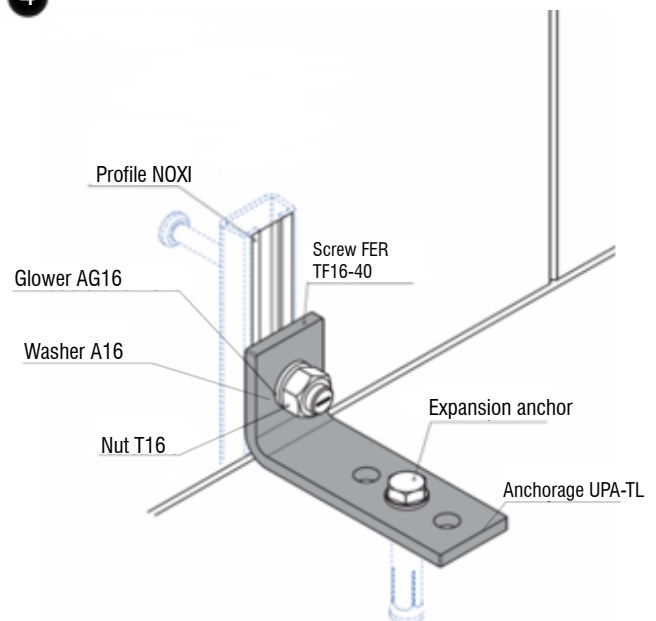
3



3.1.- Making the hole to accommodate the expansion shell in any of the three holes $\varnothing 14$.

3.2.- Insert the expansion shell through the holes of anchorage and concrete.

4



4.1.- Tighten the expansion shell (as directed by the manufacturer) to finish the assembly.

4.2.- Final check and assurance of the tightening of the nut and the installation of the expansion shell.

In order to continue the assembly sequence all the steps above described must be successfully overcome