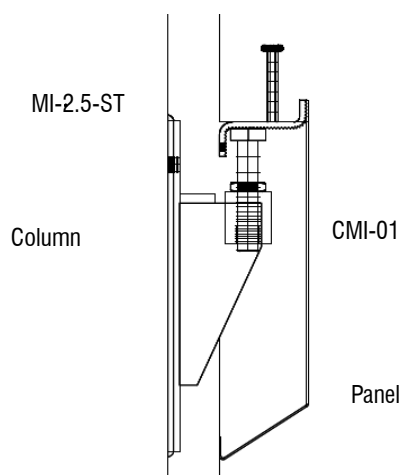




Assembly of the CMI-01 with MI-2.5-ST



Code	Description
CMI-01	Recess for Industrial Brackets
CMI-02	Recess for Industrial Brackets

Surface treatment*	Electroplated zinc coating
Service loads	The ones defined on MI catalog

**Possibility of other surface treatment under request*

System for supporting prefabricated concrete facade panels or beams.
Compatible with Industrial brackets such as MI-ST and MI-SOL.

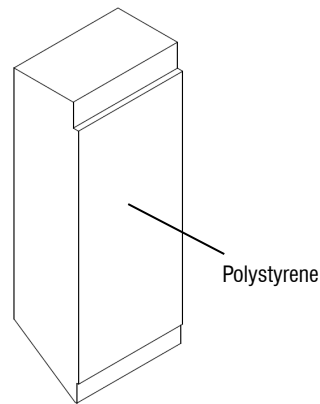
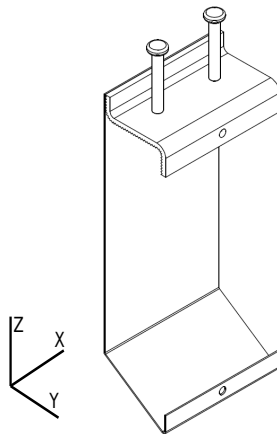
Recess Industrial bracket CMI



www.noxifer.com



1 1.1.- Definition of the element



The recess CMI is supplied with the polystyrene already inserted

2 The regulation values depend on the CMI models 01 or 02.

In the Y direction, offer a 30mm regulation when combined with Industrial Brackets MI.

In the X direction, offer a regulation depending on the CMI model:

	X Regulation	
	MI-ST	MI-SOL
CMI 01-120/CMI-02-120	40mm	30mm
CMI 01-145/CMI-02-145	65mm	55mm
CMI 01-170/CMI-02-170	90mm	80mm

Regulation is understood as the difference between the highest and the lowest position