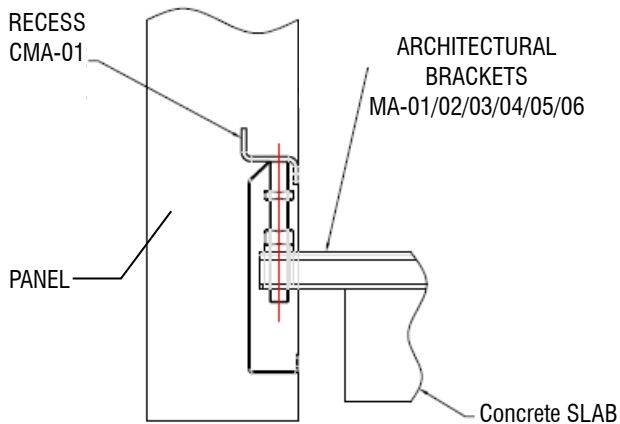


noxifer®

global bulding solutions



- (1) Surface treatment:** Electroplated zinc coating
- Service loads:** Those allowed in the MA-01/02/03/04/05 & 06 models

1. Other surface treatment available under request.

System for supporting panels with the architectural bracket.

Compatibility with the MA-01, MA-02, MA-03, MA-04, MA-05 and MA-06.

Versatile design and easy to place in the mould

Recess Architectural bracket CMA-01

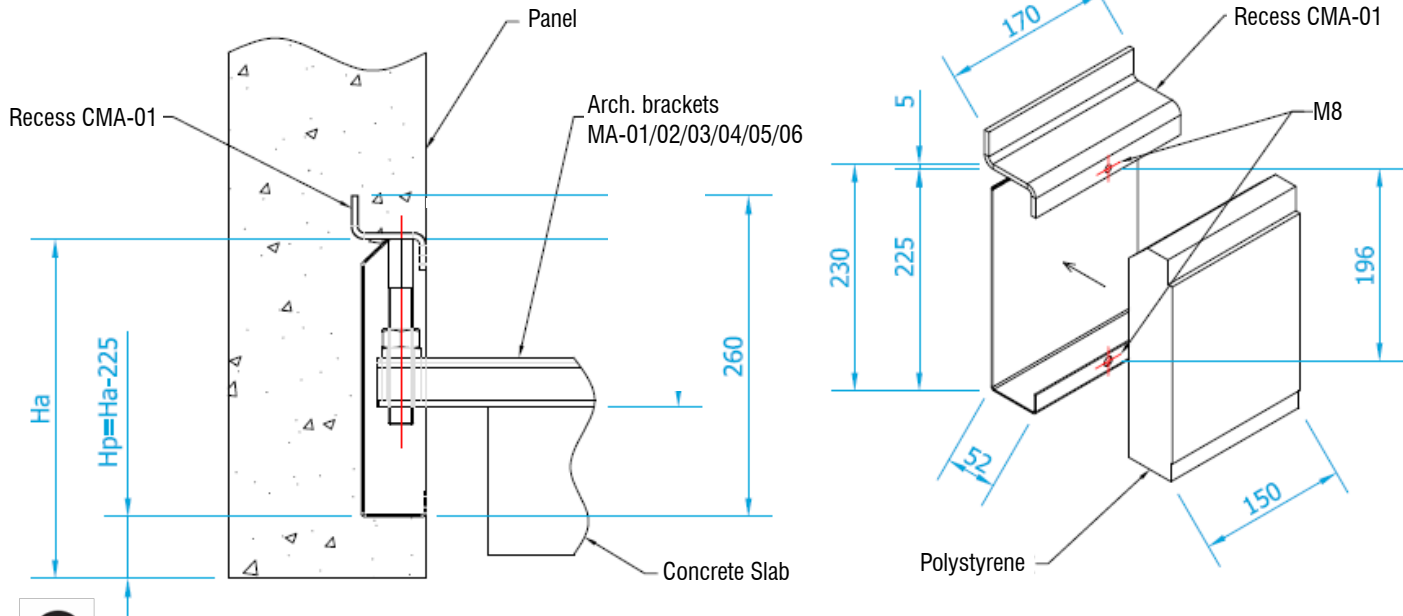


www.noxifer.com



Recess Architectural bracket CMA-01

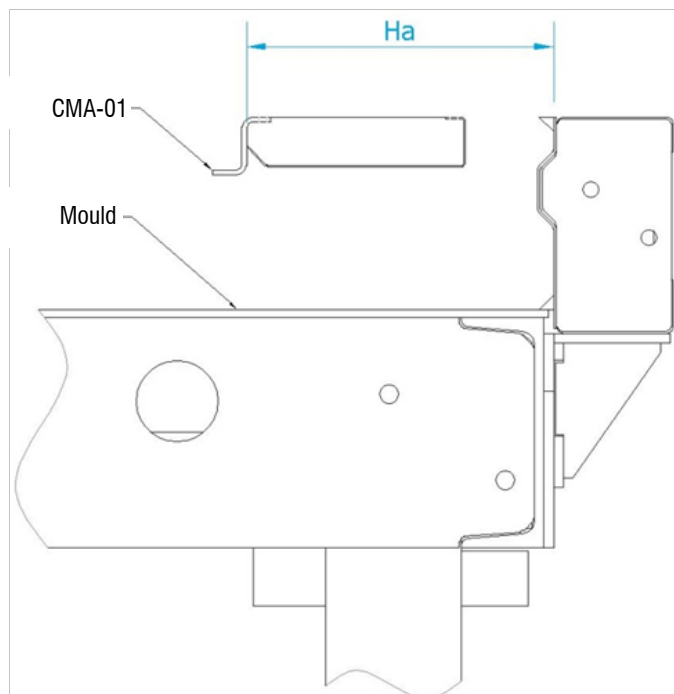
- 1 1.1 .- Definition of the support dimension "Ha" by the Technical Department.



- 2 2.1 .- Placing recess item in the mould according to specifications (Technical department).

Recess's location in the mould can be made in two different ways:

- By welding item to the panel's reinforcement.
- By screwing item to support using threads M8.



In order to continue the assembly sequence all the steps above described must be successfully overcome.