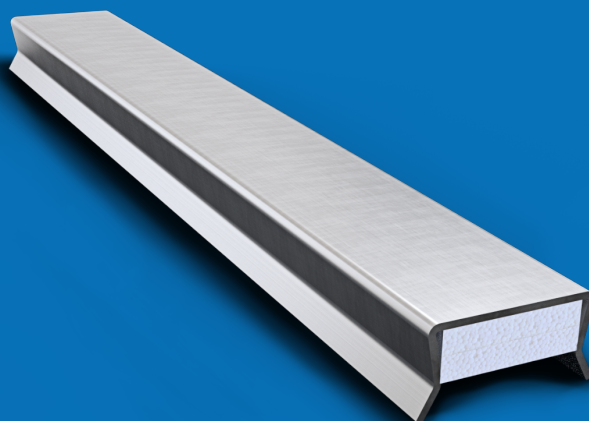


Anchorage for fixing sheet metal roofs on a prefabricated concrete element. Assembly using self-tapping screws.



# Profile PCC-60



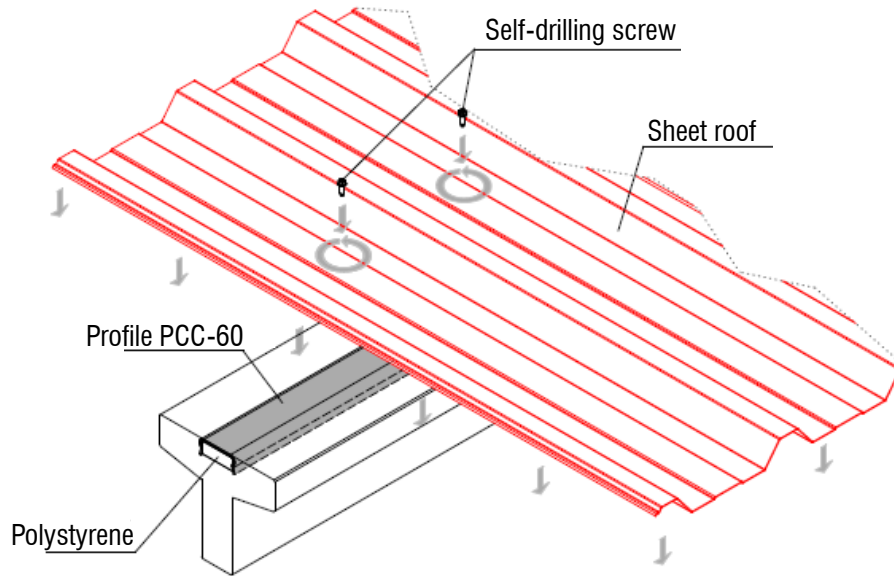
[www.noxifer.com](http://www.noxifer.com)



**Material:** DX51D+Z  
**Surface treatment:** Sendzimir Galvanized  
**Service load:** 7kN/ml  
**Concrete:**  $\geq$ HA-35

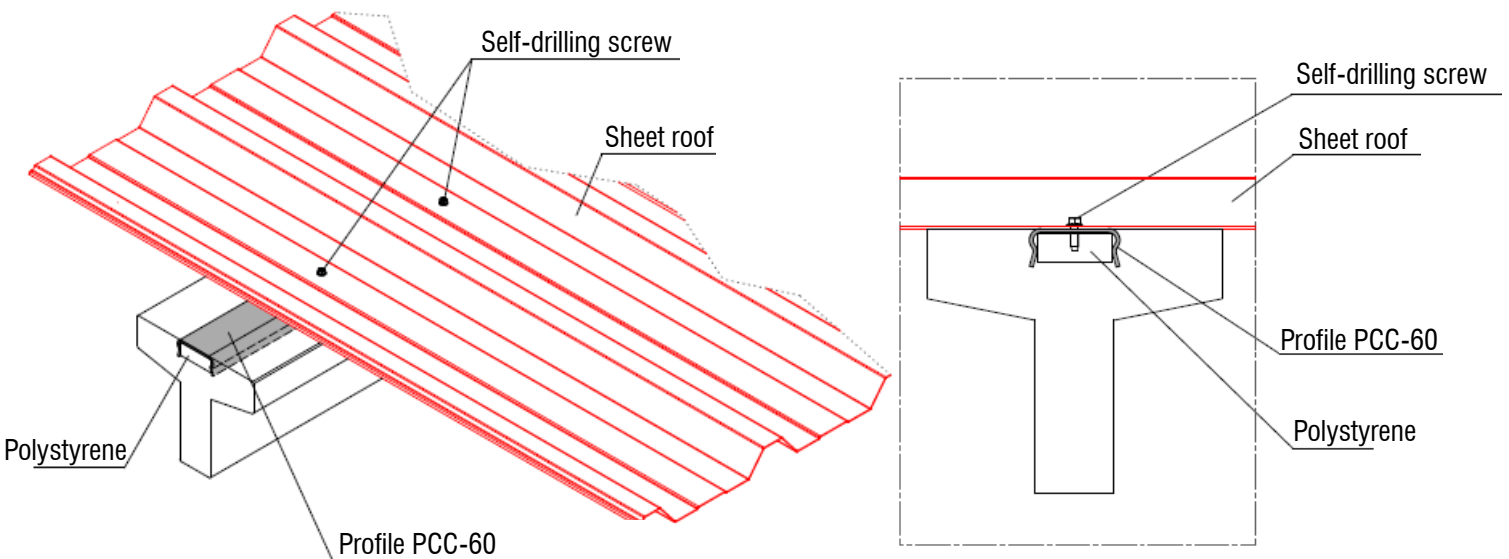
	Profile for sheet roof	PCC-60
	Self-drilling screw	

1



- 1.1.- Placement of the PCC profile + polystyrene previously in the factory.
- 1.2.- Place the sheet metal parts for the roof.
- 1.3.- Fixing the cover plates by self-drilling screws.

2



- 2.1.- Final check and assurance of tightening of self-tapping screws.

*In order to continue the assembly sequence all the steps above described must be successfully overcome.*