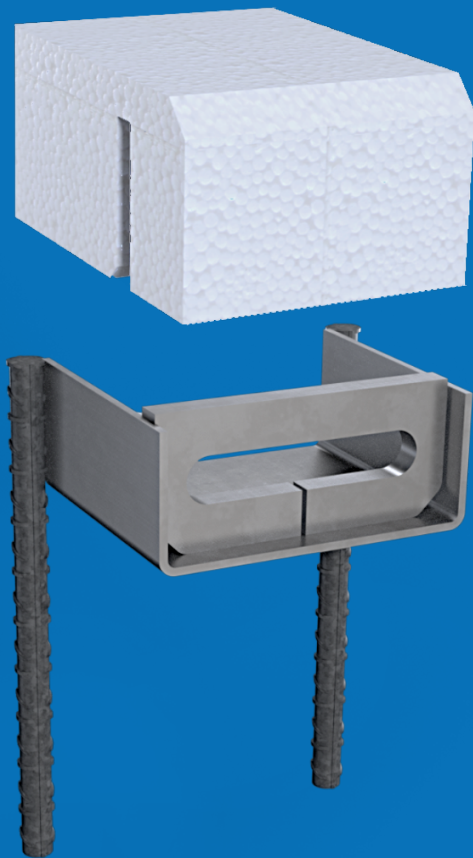


Hidden accessory for retaining horizontal precast concrete elements. Mounting with FER TF16-90 screw, NOXI profile, A16 washers, Glower AG16 washers and T16 nuts. With this system, assembly regulation is achieved in the 3 main axes.

OCULFIX 20

OCULFIX 20



Code	Description
OCULFIX20	Hidden connection for panels

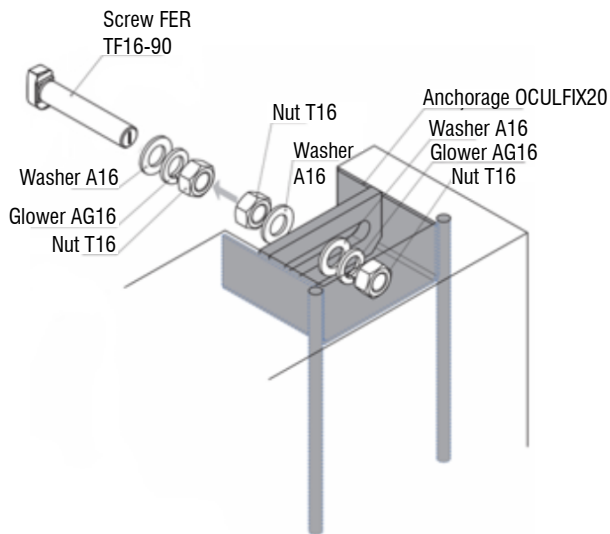
(1) **Surface treatment:** Electroplated zinc coating
Service load: 1800 Kg
Concrete: ≥ HA-35

1. Other surface treatment available under request.

www.noxifer.com

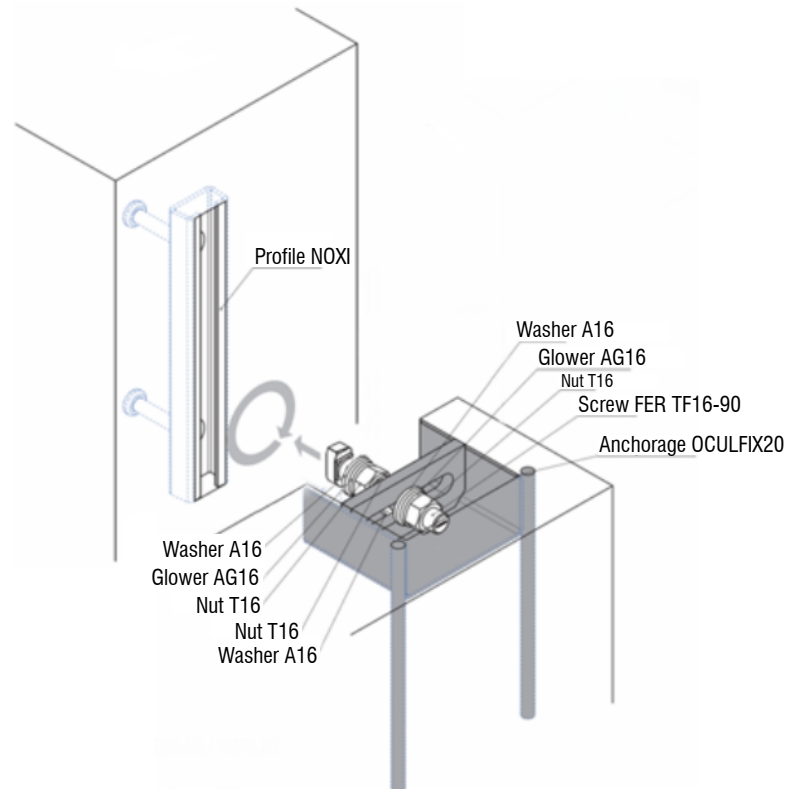


1



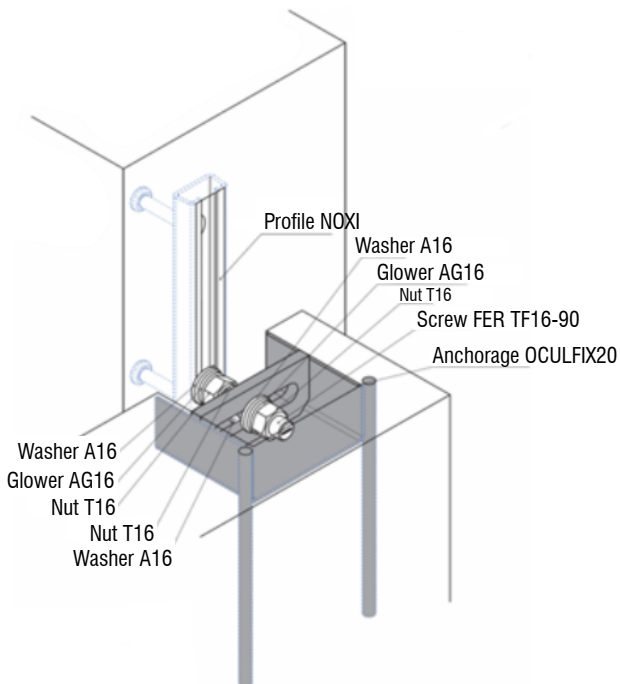
1.1.- Assembly the FER screw TF16-90 along with the nuts T16, the Glower washers AG16 and washers A16 through the slotted hole of the OCULFIX20, as shown in the figure.

2



- 2.1.- Place the element to retain in its correct position.
 - 2.2.- Loosen the exterior nuts T16 in order to release the FER screw TF16-90.
 - 2.3.- Insert FER screw TF16-90 inside the NOXI profile* and turn it 90°.
 - 2.4.- Tight the nearest nut T16 from the NOXI profile.
 - 2.5.- Tight the intermediate and exterior nuts T16 in order to fix the position of the element to retain.
- The Glower washers should be completely flat.
 *The profile can be: NOXI C, R or S depending on the loads.

3



3.1.- Check that all the elements are in the correct position

In order to continue the assembly sequence all the steps above described must be successfully overcome