

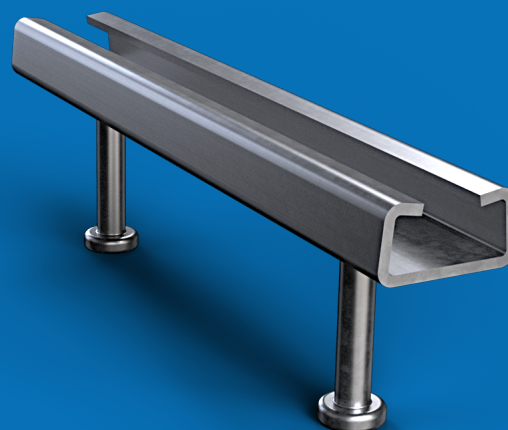
Code	Description	Distance between connectors	H
PN240R	Profile NOXI R length 24 cm	160 mm	55 mm
PN240R-P35	Profile NOXI R length 24 cm with 35 cm connectors	160 mm	35 mm

\*Other lengths available under request.

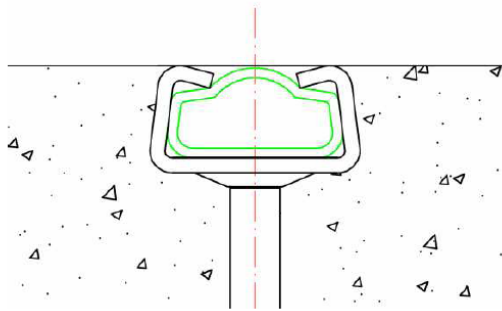
(1) **Surface treatment** Hot-dip galvanized  
**Service load** 1000 Kg (tension) 1000 Kg (shear)  
**Global Security Coefficient** 1,86  
**Concrete**  $\geq$  HA-35

Profile to insert in precast concrete modules using rigid connectors.

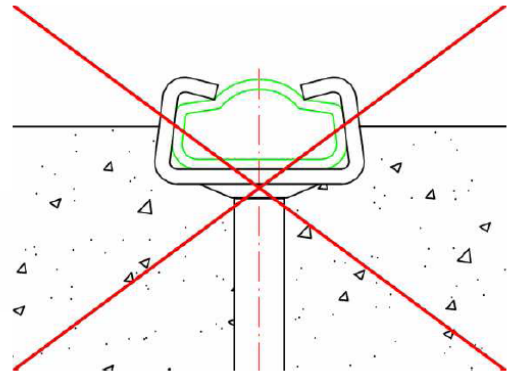
# Profile NOXI R



1



**Correct**



**Incorrect**

- 1.1.- Place the profile according to the instructions provided by the technical department.
- 1.2.- Leave the profile entirely embedded in the concrete and aligned with the upper surface.

2



- 2.1.- Remove the polystyrene protection, if desired.  
(Accessories can be inserted without removing polystyrene)

*To continue the assembly sequence, all the steps described must be successfully completed..*