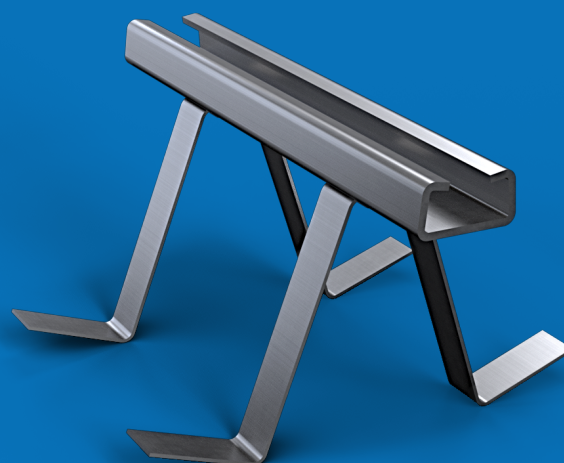


Profile embedded into precast concrete modules through steel sheets.

Profile NOXI C

Profile NOXI C



Code	Description	Sheets distance
PN240C	Profile NOXI C length 24 cm	120 mm
PN360C	Profile NOXI C length 36 cm	120 mm
PN3000C1	Profile NOXI C length 300 cm	125 mm
PN3000C2	Profile NOXI C length 300 cm	240 mm

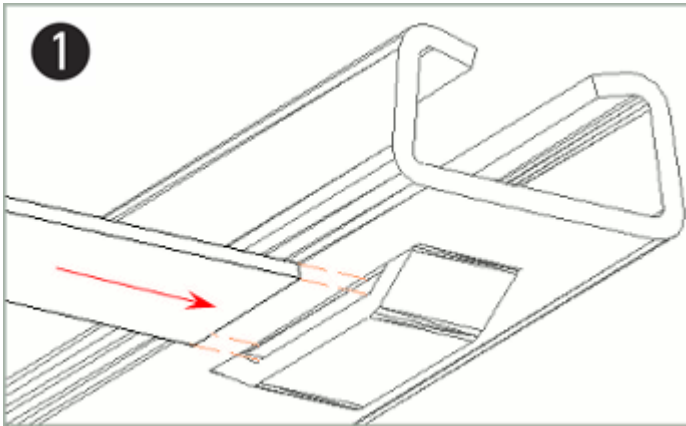
* Other lengths available under request.

(1) **Surface treatment** Sendzimir galvanized
Useful load 700 Kg (tension) 1000 Kg (shear)
Concrete ≥ HA-35

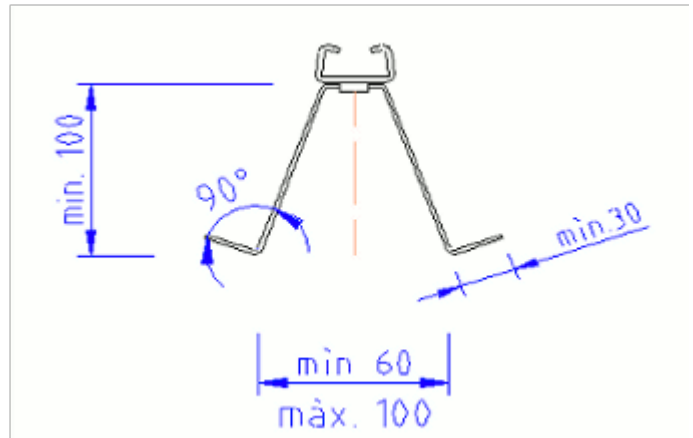
1. Other surface treatment available under request.

www.noxifer.com

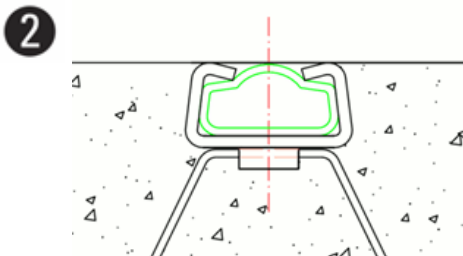




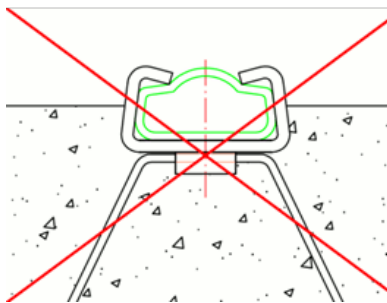
1.1.- Insert the half part of the metal sheet.



1.2.- Double the sheets according to the measures indicated by NOXIFER, SL.



Correct



Incorrect

2.1.- Place the profile according to the instructions provided by the Technical Department.

2.2.- Leave the profile entirely embedded in the concrete and aligned with the upper surface.

3



3.1.- Remove the polystyrene protection, if desired.
(Accessories can be inserted without removing polystyrene)

To continue the assembly sequence all the steps described must be successfully completed

noxifer[®]

global building solutions

Camí de Barberà, parc. 21
43424 Sarral (Tarragona)
Spain

Tel. +34 977 890 510
Fax +34 977 890 654
info@noxifer.com
www.noxifer.com