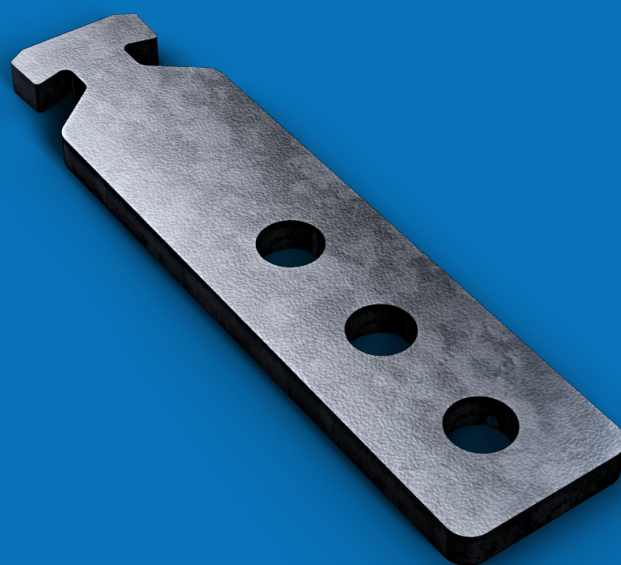


Accessory for retaining precast concrete elements.

Assembly with NOXI profile and expansion anchor.

With this system, assembly regulation is achieved in 2 of the 3 main axes.

# Anchor COFI-TL



Code	Description	Total Length <i>L</i>
COFI-TL120	Anchor COFI-TL length 120 mm	120 mm
COFI-TL168	Anchor COFI-TL length 168 mm	168 mm
COFI-TL210	Anchor COFI-TL length 210 mm	210 mm
COFI-TL243	Anchor COFI-TL length 243 mm	243 mm

(\*) Other lengths available under request  
For lengths  $L > 330$  mm, check loads.

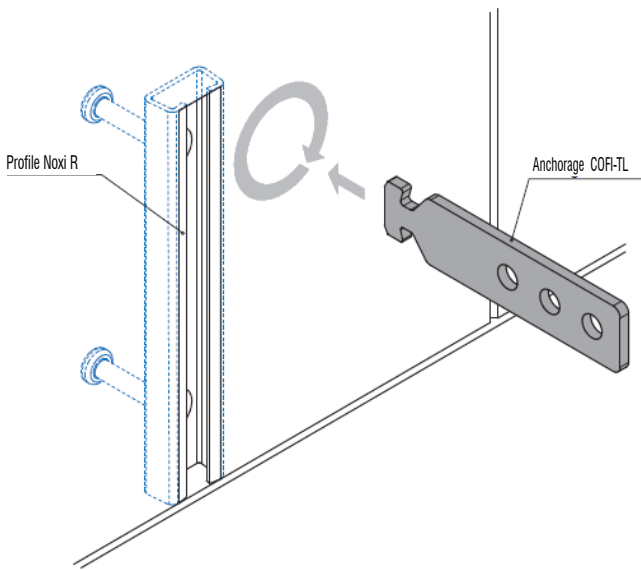
**(1) Surface treatment** Electroplated zinc coating  
**Service load** 1000 Kg  
**Global Security Coefficient** 4.7

1. Possibility to supply in different surface treatments.

[www.noxifer.com](http://www.noxifer.com)



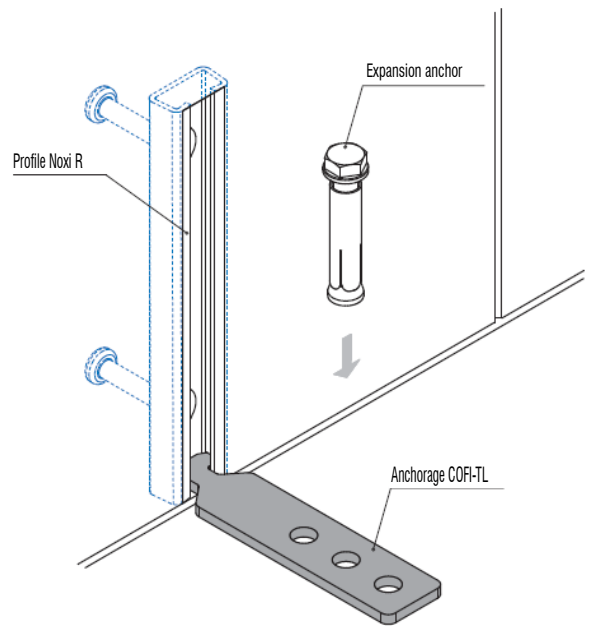
1



1.1.- Place the COFI-TL item into profile and turn it 90 degrees.

\* The profile can be: NOXI C, R or S; depending on the load.

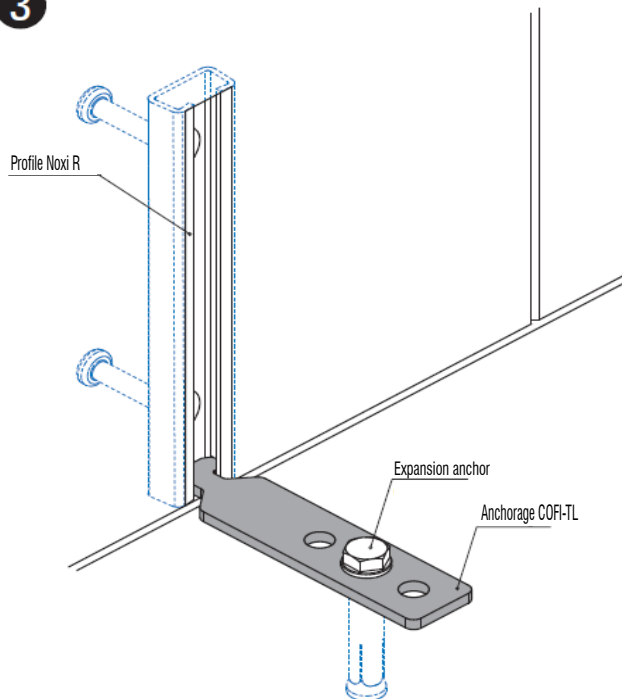
2



2.1.- Drill in order to put the expansion anchor in any of the three holes.

2.2.- Insert the expansive plug through the holes of anchorage and concrete.

3



3.1.- Press the expansion anchor (according to the manufacturer's instructions) to finish the assembly.

3.2.- Final check and assurance of the installation of the expansion anchor.

In order to continue the assembly sequence all the steps above described must be successfully overcome.