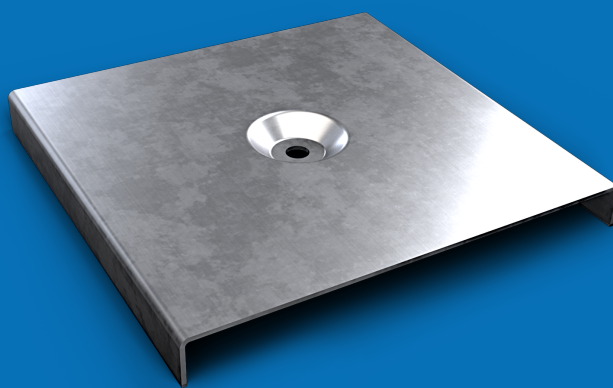


Anchorage for anti-rolling continuous concrete joists placed on a prefabricated concrete structural element. Assembled with threaded coupler C10-60, threaded bar VR10, washer M10, washer Grower M10 and nut M10.


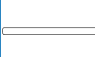


Anchor BIG-200



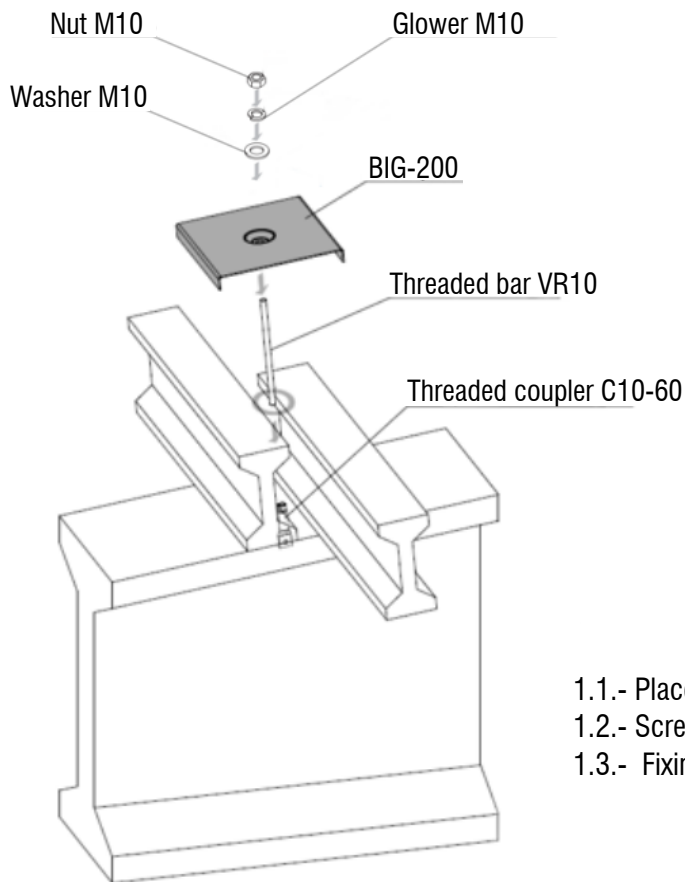
www.noxifer.com



Material: DX51D+Z
Surface treatment: Sendzimir Galvanized
Useful load: 190 kg per support point
Concrete: \geq HA-35

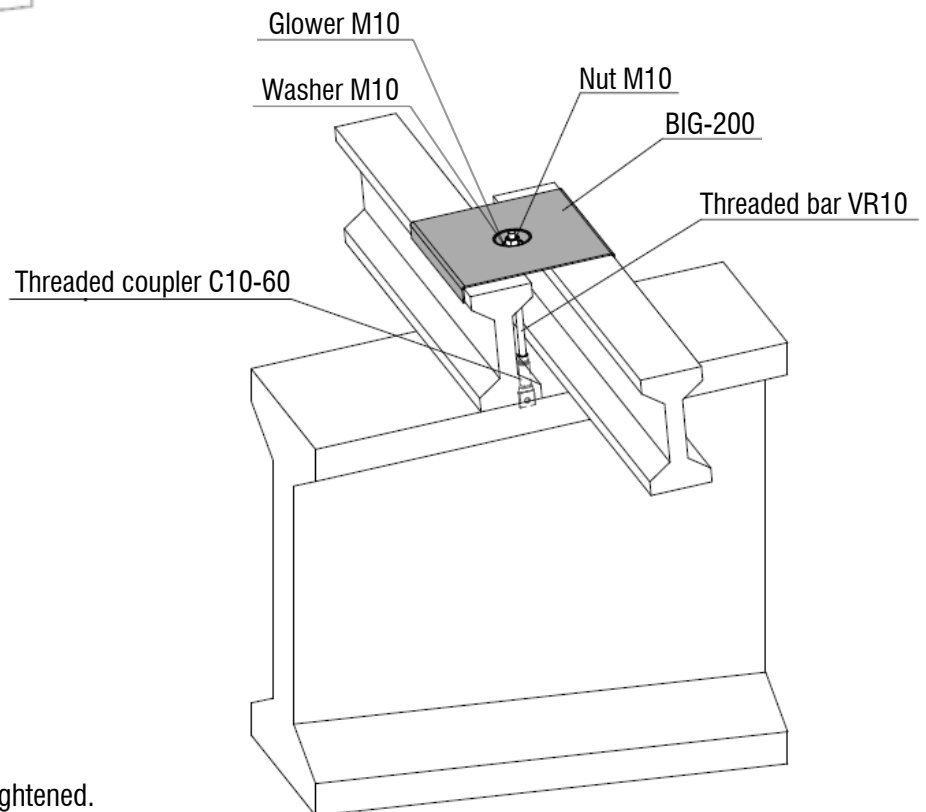
	Anchorage for joist	BIG-200
	Threaded bar length 200 mm Threaded bar length 220 mm	VR10-200 VR10-220
	Threaded coupler M10	C10-60
	Nut M10	M10

1



- 1.1.- Place threaded coupler into precast concrete element (precast factory)
- 1.2.- Screw threaded bar length 200/220 into coupler.
- 1.3.- Fixing of BIG-200 item through nut.

2



2.1.- Final checking of process. Nut strongly tightened.

In order to continue the assembly sequence all the steps above described must be successfully overcome.