

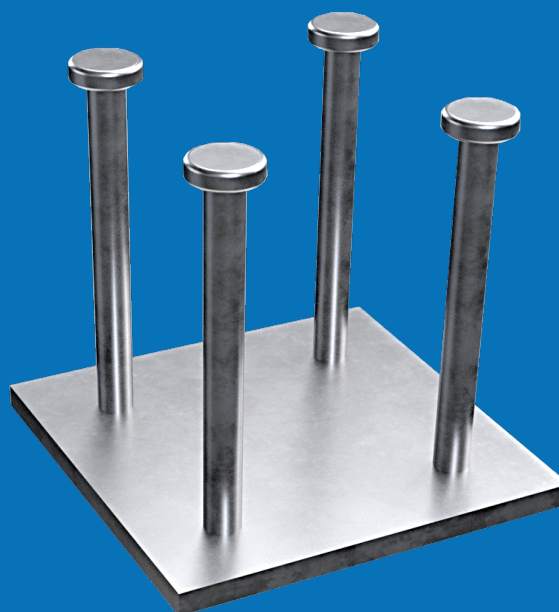
Code	Description
PBA	Anchor plate

There is a big variety of PBA models combining the base dimensions and types of shear connectors. It is recommended to check the catalogue in order to select the most appropriated anchor plate

<b>Surface coating</b>	No surface treatment
	Priming
	Electroplated zinc coating
<b>Service load</b>	Hot-dip galvanized
	Depending on the model

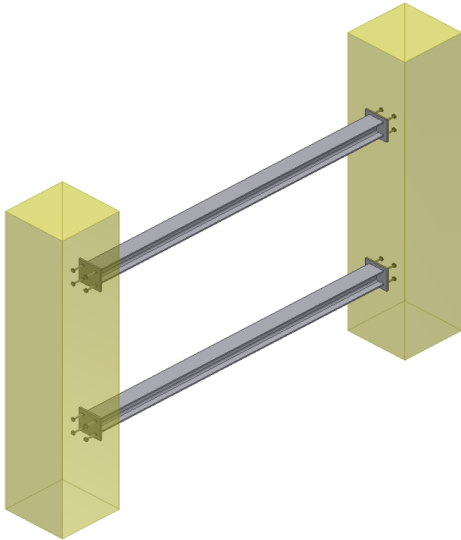
PBA anchor plates are elements designed for connecting structural elements by means of welding.

# Anchor plate PBA

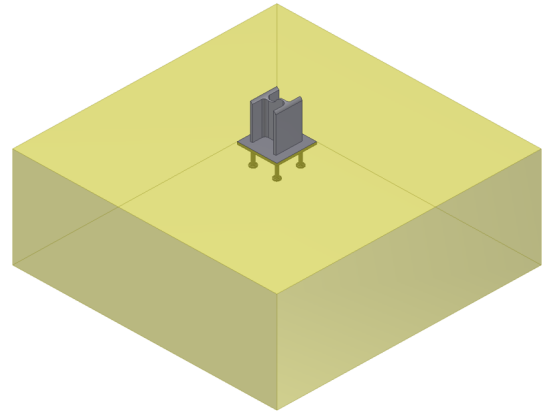


## Examples of use of the PBA anchor plates

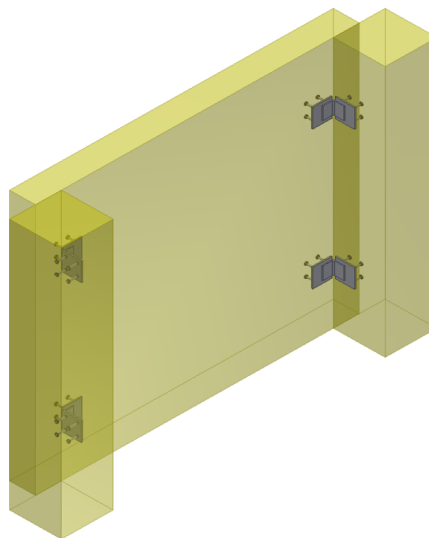
Example of connection between precast concrete column and a steel beam



Example of connection between the foundation and a steel column



Example of the connection between precast concrete columns and panels



Once the concrete is placed on the support, check that the anchor plate is aligned with the support surface and that there is not any imperfection caused during the assembly phase.